

SERVICE MANUAL

COLOR TELEVISION

- This Service Manual contains information about the difference between TV-F2500(NHE1M) and TV-F2500(NH1M). If requiring other information, see Service Manual of TV-F2500(NH,HT), (S/M Code No. 09-008-431-9R2).

aiwa
S/M Code No. 09-008-431-9S1

SUPPLEMENT
DATA

SPECIFICATIONS

Tuner System	Frequency synthesized tuner
TV System	NTSC-M
Channel Coverage	VHF: 2 to 13 UHF: 14 to 69 CATV: 5A, A-1 to A-5, A to W, W+1 to W+84
Program Memory	181
Antenna Input	75 ohms, unbalanced
Picture Tube	25 in.
Screen Size	478 (W) x 359 (H) mm (18 ⁷ / ₈ x 14 ¹ / ₄ in.) 598 mm (diagonal) (23 ⁵ / ₈ in.)
Video Input	1 Vp-p 75 ohms
Audio Input	0.5 Vrms., more than 33 k ohms
Speaker	120 x 60 mm (4 ³ / ₄ x 2 ³ / ₈ in.)
Operating Voltage	110 – 240 V AC 50/60 Hz
Power Consumption	135 W
Phones Jack	Stereo-mini jack
Operating Temperature	5 °C – 40 °C
Operating Humidity	35 % – 80 %
Dimensions	690 (W) x 506 (H) x 485 (D) mm (27 ¹ / ₄ x 20 x 19 ¹ / ₈ in.)
Weight	33.7 kg (74.14 lbs.)

- Design and specifications are subject to change without notice.

ELETRICAL MAIN PARTS LIST

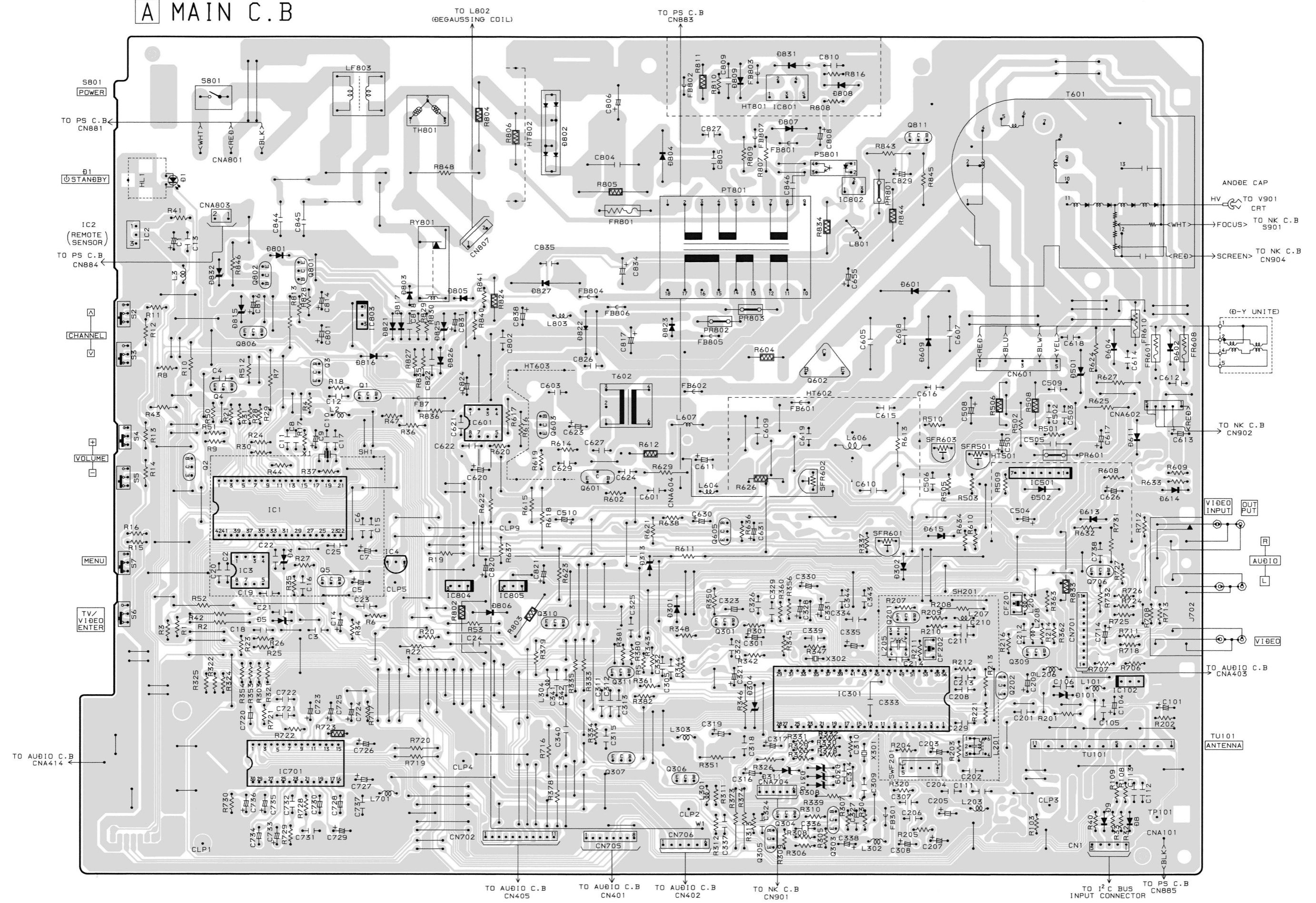
REF. NO.	PART NO.	KANRI NO.	DESCRIPTION	REF. NO.	PART NO.	KANRI NO.	DESCRIPTION
IC					87-A40-850-090		DIODE,RL4A
	8A-JE7-623-010		IC,M37272MA-055SP				
	87-A91-538-010		RCR UNIT,SBX1981-72P	MAIN C.B			
	87-A21-378-010		IC,S-24C04BDP-1A				
	87-001-536-010		IC,NJM78M05FA	C001	87-010-405-080		CAP,E 10-50 M 11L SME
	8Z-JBJ-605-010		IC,TA1268N	C002	87-018-209-080		CAP,TC U 0.1-50 Z F UP050
				C003	87-018-134-080		CAP,TC U 0.01-16 N Y UP050
	87-A21-103-040		C-IC,MM1454XFBE	C004	87-018-127-080		CAP,TC U 470P-50 K B UP050
	87-A21-022-040		C-IC,BA3880FS	C005	87-010-401-080		CAP,E 1-50 M 11L SME
	87-A21-554-010		IC,TA1216AN				
	87-A21-283-010		IC,AN5277	C006	87-018-209-080		CAP,TC U 0.1-50 Z F UP050
	87-A21-220-010		IC,MM1311AD	C007	87-010-248-080		CAP,E 220-10 M 11L SME
				C008	87-018-123-080		CAP,TC U 220P-50 K B UP050
	87-A21-219-010		IC,TC90A45P	C009	87-010-401-080		CAP,E 1-50 M 11L SME
	87-A21-456-010		IC,LA7833	C010	87-018-131-080		CAP,TC U 1000P-50 K B UP050
	87-070-417-010		IC,NJM4558DD				
	8Z-JBH-605-010		IC,CXA2104S	C011	87-018-134-080		CAP,TC U 0.01-16 N Y UP050
	87-A21-344-010		IC,STR-F6656	C012	87-018-119-080		CAP,TC U 100P-50 K B UP050
				C013	87-018-119-080		CAP,TC U 100P-50 K B UP050
	87-A21-491-010		IC,SE125N	C014	87-010-263-080		CAP,E 100-10 M 11L SME
	87-020-969-010		IC,NJM78M09FA	C015	87-018-119-080		CAP,TC U 100P-50 K B UP050
	87-A20-389-010		IC,NJM7809FA				
	87-A21-133-080		IC,BMR-0101D	C016	87-018-131-080		CAP,TC U 1000P-50 K B UP050
				C017	87-018-128-080		CAP,TC U 560P-50 K B UP050
TRANSISTOR				C018	87-018-109-080		CAP,TC U 22P-50 J SL UP050
	87-A30-065-080		TR,2SC2785FE	C019	87-018-109-080		CAP,TC U 22P-50 J SL UP050
	87-026-269-080		TR,D7A114ES	C020	87-018-119-080		CAP,TC U 100P-50 K B UP050
	87-A30-066-080		TR,2SA1175FE				
	87-026-219-080		TR,DTA144ES	C021	87-018-109-080		CAP,TC U 22P-50 J SL UP050
	87-026-218-080		TR,DTC144ES	C022	87-018-109-080		CAP,TC U 22P-50 J SL UP050
				C023	87-018-123-080		CAP,TC U 220P-50 K B UP050
	89-324-122-080		C-TR,2SC2412KR	C024	87-018-209-080		CAP,TC U 0.1-50 Z F UP050
	89-110-372-080		C-TR,2SA1037K(R)	C025	87-018-119-080		CAP,TC U 100P-50 K B UP050
	87-A30-062-080		C-TR,KRC104S				
	89-324-820-080		TR,2SC2482	C101	87-010-404-080		CAP,E 4.7-50 M 11L SME
	87-A30-366-010		TR,2SD2580	C104	87-010-248-080		CAP,E 220-10 M 11L SME
				C105	87-018-134-080		CAP,TC U 0.01-16 N Y UP050
	87-A30-363-010		TR,2SD2531	C106	87-A10-207-080		CAP,TC U 0.01-50 K B UP050
	89-110-154-080		TR,2SA1015Y	C112	87-018-109-080		CAP,TC U 22P-50 J SL UP050
	89-318-155-080		TR,2SC1815GR				
	89-110-913-080		TR,2SA10910	C113	87-018-109-080		CAP,TC U 22P-50 J SL UP050
	87-A30-344-010		TR,2SC5147D	C201	87-018-134-080		CAP,TC U 0.01-16 N Y UP050
				C202	87-018-134-080		CAP,TC U 0.01-16 N Y UP050
	87-026-462-080		TR,2SC1740SR5	C203	87-010-400-080		CAP,E 0.47-50 M 11L SME
	89-407-742-080		TR,2SD774	C204	87-018-134-080		CAP,TC U 0.01-16 N Y UP050
	89-118-370-010		TR,2SA1837				
	89-347-930-010		TR,2SC4793	C205	87-010-237-080		CAP,E 1000-16 M SME
	87-A30-216-080		TR,2SA933AS (R)	C206	87-A10-287-080		CAP,M 2200P-50 J
				C207	87-010-400-080		CAP,E 0.47-50 M 11L SME
	87-A30-524-080		TR,2SC2925-T	C208	87-018-134-080		CAP,TC U 0.01-16 N Y UP050
				C209	87-010-385-080		CAP,E 220-25 M SME
DIODE				C210	87-A11-080-080		CAP,TC U 47P-50 J CH
	87-017-932-080		ZENER,MTZJ6.2B	C211	87-A11-080-080		CAP,TC U 47P-50 J CH
	87-020-465-080		DIODE,1SS133	C212	87-A11-080-080		CAP,TC U 47P-50 J CH
	87-002-743-080		ZENER,MTZJ33B	C213	87-A11-082-080		CAP,TC U 56P-50 J CH
	87-A40-235-080		ZENER,MTZJ9.1C	C214	87-018-134-080		CAP,TC U 0.01-16 N Y UP050
	87-A40-690-080		ZENER,MTZJ11B				
				C229	87-018-149-080		CAP,TC U 15P-50 J CH UP050
	87-A40-286-080		DIODE, RGP10JE-5025	C301	87-010-403-080		CAP,E 3.3-50 M 11L SME
	87-A40-348-080		ZENER,MTZJ3.3A	C305	87-018-126-080		CAP,TC U 390P-50 K B UP050
	87-A40-234-080		ZENER,MTZJ5.6A	C307	87-A10-299-080		CAP,M 0.022-50 J
	87-A40-318-080		ZENER,RM26 V1	C308	87-010-401-080		CAP,E 1-50 M 11L SME
	87-070-092-080		DIODE,S5566B				
				C309	87-018-147-080		CAP,TC U 10P-50 J CH UP050
	87-A40-735-090		DIODE,ERC06-15	C311	87-018-209-080		CAP,TC U 0.1-50 Z F UP050
	87-A40-001-080		ZENER,MTZJ12C	C312	87-018-209-080		CAP,TC U 0.1-50 Z F UP050
	87-017-593-090		DIODE, RGP15J	C313	87-018-209-080		CAP,TC U 0.1-50 Z F UP050
	87-017-654-060		DIODE,GBU6JL6131	C314	87-018-134-080		CAP,TC U 0.01-16 N Y UP050
	87-A40-856-080		DIODE,UF4007				
				C315	87-018-123-080		CAP,TC U 220P-50 K B UP050
	87-A40-828-080		DIODE,AK 04	C317	87-010-402-080		CAP,E 2.2-50 M 11L SME
	87-A40-825-090		DIODE,RN 1Z	C318	87-018-134-080		CAP,TC U 0.01-16 N Y UP050
	87-A40-734-010		DIODE,FML-G12S	C319	87-010-237-080		CAP,E 1000-16 M SME
	87-A40-927-080		DIODE,1SS199-041TA	C321	87-010-404-080		CAP,E 4.7-50 M 11L SME
	87-A40-553-080		DIODE,1N4003 LES				
				C322	87-A10-295-080		CAP,M 0.01-50 J
	87-A40-503-080		ZENER,MTZJ39	C323	87-016-280-080		CAP,E 3.3-50 M BP SME
	87-A40-785-080		DIODE,SB040	C324	87-018-134-080		CAP,TC U 0.01-16 N Y UP050
				C325	87-018-134-080		CAP,TC U 0.01-16 N Y UP050
				C326	87-A10-307-080		CAP,M 0.1-50 J

REF. NO.	PART NO.	KANRI NO.	DESCRIPTION	REF. NO.	PART NO.	KANRI NO.	DESCRIPTION
C327	87-018-134-080		CAP,TC U 0.01-16 N Y UP050	C804	87-A10-474-090		CAP,PP 0.01-1.25KJ PHS
C328	87-010-405-080		CAP,E 10-50 M 11L SME	C805	87-A12-117-010		CAP,CER 560P-1KJ HR SL
C329	87-018-134-080		CAP,TC U 0.01-16 N Y UP050	C806	87-A12-287-090		CAP,E 390-400 M SMM
C330	87-010-401-080		CAP,E 1-50 M 11L SME	C808	87-010-384-080		CAP,E 100-25 M 11L SME
C331	87-010-544-080		CAP,E 0.1-50 M 11L SME	C809	87-018-127-080		CAP,TC U 470P-50 K B UP050
C332	87-018-134-080		CAP,TC U 0.01-16 N Y UP050	C810	87-018-129-080		CAP,TC U 680P-50 K B UP050
C333	87-018-134-080		CAP,TC U 0.01-16 N Y UP050	C813	87-018-131-080		CAP,TC U 1000P-50 K B UP050
C334	87-018-209-080		CAP,TC U 0.1-50 Z F UP050	C814	87-010-260-080		CAP,E 47-25 M 11L SME
C335	87-015-997-010		CAP,E 2200-16 M SME	C816	87-010-405-080		CAP,E 10-50 M 11L SME
C336	87-018-134-080		CAP,TC U 0.01-16 N Y UP050	C817	87-010-398-090		CAP,E 2200-35 M SME
C337	87-018-130-080		CAP,TC U 820P-50 K B UP050	C818	87-018-209-080		CAP,TC U 0.1-50 Z F UP050
C338	87-010-405-080		CAP,E 10-50 M 11L SME	C820	87-010-405-080		CAP,E 10-50 M 11L SME
C339	87-018-134-080		CAP,TC U 0.01-16 N Y UP050	C821	87-010-405-080		CAP,E 10-50 M 11L SME
C340	87-018-118-080		CAP,TC U 82P-50 J B UP050	C822	87-018-209-080		CAP,TC U 0.1-50 Z F UP050
C341	87-018-118-080		CAP,TC U 82P-50 J B UP050	C824	87-010-237-080		CAP,E 1000-16 M SME
C342	87-018-150-080		CAP,TC U 18P-50 J CH UP050	△ C826	87-010-976-080		CAP,CER 1000P-500 K B DD10
C343	87-A10-307-080		CAP,M 0.1-50 J	C827	87-A12-290-080		CAP,CER 220P-2K JSL HR
C344	87-A10-307-080		CAP,M 0.1-50 J	C829	87-010-384-080		CAP,E 100-25 M 11L SME
C501	87-010-405-080		CAP,E 10-50 M 11L SME	C831	87-010-405-080		CAP,E 10-50 M 11L SME
C504	87-010-393-080		CAP,E 100-35 M SME	C834	87-A10-733-090		CAP,E 220-160 M SK
C505	87-018-131-080		CAP,TC U 1000P-50 K B UP050	C835	87-A12-292-010		CAP,CER 330P-2K JSL HR
C508	87-010-398-090		CAP,E 2200-35 M SME	C838	87-010-397-090		CAP,E 1000-35 M SME
C509	87-A11-245-080		CAP,M/P 0.1-100 J TF-ECQV	C844	87-A12-170-010		CAP,CER 1000P-4K M E KX
C510	87-010-405-080		CAP,E 10-50 M 11L SME	C845	87-A12-170-010		CAP,CER 1000P-4K M E KX
C605	87-A10-972-090		CAP,M/P 0.015-1.25K H DKRG	C846	87-A10-207-080		CAP,TC U 0.01-50 K B UP050
C607	87-A12-351-090		CAP,M/P 0.013-800 H DKRG	CF201	84-LB3-626-080		FLTR,TPS4.5MB2
C608	87-A10-833-010		CAP,CER 1000P-2K K R LONG	CF202	84-LB3-627-080		FLTR,SFSH 4.5MdB SIF
C609	87-A11-278-090		CAP,M/P 0.47-250 J	CN001	87-009-195-010		CONN,5P V WHT EH
C610	87-A10-833-010		CAP,CER 1000P-2K K R LONG	CN601	87-099-762-010		CONN,5P V TBL-P BOSS
C611	87-010-963-080		CAP,E 2.2-160 M 11L SME	CN701	87-A60-628-010		CONN,11P V 2MM JMT
△ C612	87-010-976-080		CAP,CER 1000P-500 K B DD10	CN705	87-009-262-010		CONN,8P V 52147
△ C613	87-016-373-080		CAP,E 10-250 M SME	CN706	87-099-186-010		CONN,6P V WHT EH
△ C614	87-010-976-080		CAP,CER 1000P-500 K B DD10	△ CN807	82-481-649-010		CONN,2P V VT-50P
C615	87-A10-843-080		CAP,CER 680P-1K K R	CNA101	8Z-JE5-637-010		CONN ASSY,1P PS-MAIN
C616	87-A10-843-080		CAP,CER 680P-1K K R	CNA602	8Z-JE5-632-010		CONN ASSY,5P V WHT TV-NK-1
C617	87-A12-082-090		CAP,E 1000-35 SMG	CNA604	8Z-JE5-638-010		CONN ASSY,1P FBT-PS
C618	87-A10-301-080		CAP,M 0.033-50 J	CNA704	8A-JE5-617-010		CONN ASSY,6P V WHT TV-NK-2
C619	87-A11-987-080		CAP,CER 6800P-250 K R HR	CNA801	8A-JE5-619-010		CONN ASSY,3P V MAIN-PS
C620	87-010-395-080		CAP,E 330-35 M SME	CNA803	8Z-JE5-636-010		CONN ASSY,2P PS-MAIN 5V
C621	87-018-131-080		CAP,TC U 1000P-50 K B UP050	D1	87-070-110-010		LED,SLP-181B-51 RED
C622	87-A11-124-080		CAP,TC U 2200P-50 K B	FB007	87-008-372-080		FLTR,EMI BL01 RN1
C623	87-A12-171-080		CAP,E 4.7-50 K SH	FB301	87-003-320-080		F-BEAD,-9.0 FBR07HA121NB-00
C624	87-010-975-080		CAP,CER 330P-500 K B DD10	FB601	87-003-223-080		F-BEAD, BL02RN2
C626	87-010-405-080		CAP,E 10-50 M 11L SME	FB602	87-003-223-080		F-BEAD, BL02RN2
C627	87-010-975-080		CAP,CER 330P-500 K B DD10	FB801	87-003-320-080		F-BEAD,-9.0 FBR07HA121NB-00
C629	87-A10-469-080		CAP,CER 2200P-500 K B DD10	FB802	87-003-320-080		F-BEAD,-9.0 FBR07HA121NB-00
C630	87-010-405-080		CAP,E 10-50 M 11L SME	FB803	87-003-320-080		F-BEAD,-9.0 FBR07HA121NB-00
C631	87-010-263-080		CAP,E 100-10 M 11L SME	FB804	87-003-320-080		F-BEAD,-9.0 FBR07HA121NB-00
C655	87-A11-354-090		CAP,E 100-160 M SMG	FB805	87-003-320-080		F-BEAD,-9.0 FBR07HA121NB-00
C714	87-010-221-080		CAP,E 470-10 M SME	FB806	87-003-320-080		F-BEAD,-9.0 FBR07HA121NB-00
C720	87-015-464-080		CAP,E 4.7-16 BP	FB807	87-003-320-080		F-BEAD,-9.0 FBR07HA121NB-00
C721	87-A10-292-080		CAP,M 5600P-50 J	FR601	87-029-158-060		RES,FUSE 1-1W J
C722	87-A10-296-080		CAP,M 0.012-50 J	FR608	87-A00-628-090		RES,FUSE 0.68-1W J RF 1SL12.5
C723	87-010-401-080		CAP,E 1-50 M 11L SME	FR610	87-A00-628-090		RES,FUSE 0.68-1W J RF 1SL12.5
C724	87-010-404-080		CAP,E 4.7-50 M 11L SME	FR801	87-A00-770-090		RES,FUSE 0.1-1W J RF1SL12.5
C725	87-010-405-080		CAP,E 10-50 M 11L SME	HL001	84-LB3-216-010		HLDR,LED
C726	87-010-404-080		CAP,E 4.7-50 M 11L SME	J702	87-A60-324-110		JACK,PIN 6P Y-W-R W/SW
C727	87-010-112-080		CAP,E 100-16 M 11L SME	L002	87-005-614-080		COIL,100UH J LAV35
C728	87-015-464-080		CAP,E 4.7-16 BP	L003	87-005-614-080		COIL,100UH J LAV35
C729	87-010-404-080		CAP,E 4.7-50 M 11L SME	L101	87-005-614-080		COIL,100UH J LAV35
C730	87-015-464-080		CAP,E 4.7-16 BP	L201	8Z-JBR-612-010		COIL,SIF 4.5MHZ 504BN
C731	87-A10-288-080		CAP,M 2700P-50 J	L203	87-005-612-080		COIL,68UH J LAV35
C733	87-016-301-080		CAP,TN 3.3-16 K DN	L204	87-003-282-080		COIL,12UH J LAL02
C734	87-015-464-080		CAP,E 4.7-16 BP	L205	8Z-JBH-610-010		COIL,PIF-SQ57EL349A 45.75MHZ
C735	87-016-302-080		CAP,TN 10-16 K DN	L206	87-005-614-080		COIL,100UH J LAV35
C736	87-010-401-080		CAP,E 1-50 M 11L SME	L207	87-003-147-080		COIL,22UH J LAL02
C737	87-018-134-080		CAP,TC U 0.01-16 N Y UP050	L208	87-003-143-080		COIL,4.7UH K LAL02
C738	87-A10-307-080		CAP,M 0.1-50 J	L301	87-003-097-080		COIL,1.0UH K LAL02
C801	87-010-408-080		CAP,E 47-50V	L302	87-005-614-080		COIL,100UH J LAV35
C802	87-018-131-080		CAP,TC U 1000P-50 K B UP050	L303	87-005-614-080		COIL,100UH J LAV35

REF. NO.	PART NO.	KANRI NO.	DESCRIPTION	REF. NO.	PART NO.	KANRI NO.	DESCRIPTION
L304	87-003-282-080		COIL,12UH J LAL02	C417	87-010-404-080		CAP,E 4.7-50 M 11L SME
L604	87-A50-607-080		COIL,3.9MH J LHL10	C418	87-010-197-080		C-CAP,S 0.01-25 K B C2012
L606	8Z-JE5-621-010		COIL,HLC ZJE-5	C419	87-010-404-080		CAP,E 4.7-50 M 11L SME
L607	87-A50-541-010		COIL,1MH 1.5AP-P	C420	87-010-404-080		CAP,E 4.7-50 M 11L SME
L701	87-005-614-080		COIL,100UH J LAV35	C421	87-010-404-080		CAP,E 4.7-50 M 11L SME
L801	87-A50-636-010		COIL,390UH RCH110	C422	87-A10-293-080		CAP,M 6800P-50 J
L803	87-A50-176-080		COIL,33UH-PJ87	C424	87-010-260-080		CAP,E 47-25 M 11L SME
△ LF803	8A-JE7-643-010		FLTR,LINE ELF180286B	C425	87-A10-305-080		CAP,M 0.068-50 J
△ LF882	87-A91-888-010		FLTR,LINE ELF21V022A	C426	87-A10-295-080		CAP,M 0.01-50 J
△ PR601	87-A90-764-080		PROTECTOR,1.25A 60V491	C427	87-010-404-080		CAP,E 4.7-50 M 11L SME
△ PR801	87-A90-090-080		PROTECTOR,1.5A 60V491	C428	87-010-189-080		C-CAP,S 8200P-50 K B
△ PR802	87-A90-195-080		PROTECTOR,7A 60V491	C429	87-012-365-080		C-CAP,S 0.027-25 K B
△ PR803	87-A90-473-080		PROTECTOR,3.5A 60V491	C430	87-010-401-080		CAP,E 1-50 M 11L SME
△ PS801	87-A90-717-010		P-COUPLER,PC123FY2	C431	87-010-189-080		C-CAP,S 8200P-50 K B
△ PT801	8A-JE5-622-010		PT,U SW AJE-5	C432	87-010-197-080		C-CAP,S 0.01-25 K B C2012
R506	87-A00-143-090		RES,M/F 1.0-1W J RSF(S)	C433	87-010-260-080		CAP,E 47-25 M 11L SME
R508	87-A00-653-090		RES,M/F 270-1W J RSF(S)	C434	87-012-365-080		C-CAP,S 0.027-25 K B
R604	87-A00-565-090		RES,M/F 1.2K-7W J RSU7	C435	87-010-401-080		CAP,E 1-50 M 11L SME
R612	87-A00-629-090		RES,M/F 5.6-1W J RSF(S)	C436	87-010-401-080		CAP,E 1-50 M 11L SME
R626	87-A00-676-090		RES,M/F 100-7W J RSV7	C437	87-010-401-080		CAP,E 1-50 M 11L SME
R723	87-A00-130-080		RES,M/F 62K-1/6W F	C438	87-010-178-080		C-CAP,S 1000P-50 K B C2012
R802	87-A00-160-090		RES,M/F 33-2W J RSF(S)	C439	87-A10-307-080		CAP,M 0.1-50 J
R803	87-A00-356-090		RES,M/F 22-2W J RSS2X	C440	87-A10-307-080		CAP,M 0.1-50 J
R804	87-A00-332-090		RES,CEM 1-10W J RGC	C441	87-A10-307-080		CAP,M 0.1-50 J
R805	87-A00-170-090		RES,M/F 82K-3W J RSF(S)	C442	87-010-401-080		CAP,E 1-50 M 11L SME
R806	87-A00-749-090		RES,M/F 33K-5W J RSS5	C443	87-010-405-080		CAP,E 10-50 M 11L SME
R811	87-A00-646-090		RES,CEM 0.1-5W K RGC5	C444	87-010-405-080		CAP,E 10-50 M 11L SME
R824	87-A00-315-090		RES,M/F 1K-1W J RSF(S)	C445	87-010-405-080		CAP,E 10-50 M 11L SME
R833	87-A00-199-090		RES,M/F 12K-3W J RSF(S)	C446	87-010-405-080		CAP,E 10-50 M 11L SME
R834	87-A00-223-090		RES,M/F 47K-2W J RSF(S)	C447	87-010-405-080		CAP,E 10-50 M 11L SME
R844	87-A00-254-090		RES,M/F 0.68-2W J	C448	87-010-197-080		C-CAP,S 0.01-25 K B C2012
△ R848	87-A00-332-090		RES,CEM 1-10W J RGC	C449	87-010-402-080		CAP,E 2.2-50 M 11L SME
△ RY801	87-A91-390-010		RELAY,AC12V G5PA-1-8	C450	87-010-247-080		CAP,E 100-50 M SME
S002	87-A91-525-080		SW,TACT SKQNLA	C451	87-010-388-080		CAP,E 1000-25 M SME
S003	87-A91-525-080		SW,TACT SKQNLA	C452	87-010-388-080		CAP,E 1000-25 M SME
S004	87-A91-525-080		SW,TACT SKQNLA	C453	87-010-178-080		C-CAP,S 1000P-50 K B C2012
S005	87-A91-525-080		SW,TACT SKQNLA	C454	87-010-399-090		CAP,E 3300-35 M SME
S006	87-A91-525-080		SW,TACT SKQNLA	C455	87-010-393-080		CAP,E 100-35 M SME
S007	87-A91-525-080		SW,TACT SKQNLA	C460	87-010-197-080		C-CAP,S 0.01-25 K B C2012
△ S801	87-A91-410-010		SW,AC PUSH 1-1-1 ESB92SH1B	C464	87-010-260-080		CAP,E 47-25 M 11L SME
SFR501	87-024-429-080		SFR,1K H RH063MC	C465	87-010-178-080		C-CAP,S 1000P-50 K B C2012
SFR601	87-024-434-080		SFR,22K H RH063MC	C466	87-A10-295-080		CAP,M 0.01-50 J
SFR602	87-024-429-080		SFR,1K H RH063MC	C467	87-010-401-080		CAP,E 1-50 M 11L SME
SFR603	87-A91-856-080		SFR,22K EVM EAS	C468	87-A10-295-080		CAP,M 0.01-50 J
SWF201	8Z-JBH-633-010		FLTR,SAW M1969M	C469	87-A10-295-080		CAP,M 0.01-50 J
△ T601	8Z-JE5-606-010		FBT,D NX-4523 ZJE-5	C470	87-010-154-080		C-CAP,S 10P-50 D CH GRM
△ T602	85-JT2-653-010		PT,HDT-TV141-2	C471	87-012-155-080		C-CAP,S 180P-50 J CH GRM
△ TH801	87-A90-759-010		POS-THMS,PTH451C272BF300N270	C472	87-A10-295-080		CAP,M 0.01-50 J
TU101	8Z-JBE-610-010		TU UNIT,USA ENV56D74G3	C473	87-A10-295-080		CAP,M 0.01-50 J
X001	87-A70-124-080		VIB,CER 8.0MHZ	C474	87-A10-295-080		CAP,M 0.01-50 J
X301	87-A70-007-080		VIB,XTAL 3.58MHZ AQC-1001	C475	87-010-178-080		C-CAP,S 1000P-50 K B C2012
X302	87-030-327-010		VIB,CER 503.500KHZ CSB F30	C476	87-010-260-080		CAP,E 47-25 M 11L SME
				C477	87-010-316-080		C-CAP,S 33P-50 J CH GRM
				C478	87-010-316-080		C-CAP,S 33P-50 J CH GRM
				C479	87-010-318-080		C-CAP,S 47P-50 J CH GRM
AUDIO C.B							
C401	87-010-404-080		CAP,E 4.7-50 M 11L SME	C480	87-010-316-080		C-CAP,S 33P-50 J CH GRM
C402	87-A10-295-080		CAP,M 0.01-50 J	C481	87-010-316-080		C-CAP,S 33P-50 J CH GRM
C403	87-A10-295-080		CAP,M 0.01-50 J	C482	87-010-196-080		C-CAP,S 0.1-25 Z F C2012
C404	87-A10-307-080		CAP,M 0.1-50 J	C483	87-010-260-080		CAP,E 47-25 M 11L SME
C405	87-010-404-080		CAP,E 4.7-50 M 11L SME	C484	87-010-197-080		C-CAP,S 0.01-25 K B C2012
C406	87-010-260-080		CAP,E 47-25 M 11L SME	C486	87-010-197-080		C-CAP,S 0.01-25 K B C2012
C407	87-010-197-080		C-CAP,S 0.01-25 K B C2012	C487	87-010-196-080		C-CAP,S 0.1-25 Z F C2012
C408	87-010-405-080		CAP,E 10-50 M 11L SME	C488	87-010-384-080		CAP,E 100-25 M 11L SME
C409	87-010-404-080		CAP,E 4.7-50 M 11L SME	C489	87-010-197-080		C-CAP,S 0.01-25 K B C2012
C410	87-010-404-080		CAP,E 4.7-50 M 11L SME	C492	87-010-197-080		C-CAP,S 0.01-25 K B C2012
C411	87-010-404-080		CAP,E 4.7-50 M 11L SME	C493	87-A10-307-080		CAP,M 0.1-50 J
C413	87-A10-295-080		CAP,M 0.01-50 J	C494	87-A10-307-080		CAP,M 0.1-50 J
C414	87-A10-305-080		CAP,M 0.068-50 J	C495	87-010-400-080		CAP,E 0.47-50 M 11L SME
C415	87-A10-293-080		CAP,M 6800P-50 J	C496	87-010-400-080		CAP,E 0.47-50 M 11L SME
C416	87-010-260-080		CAP,E 47-25 M 11L SME	C497	87-010-405-080		CAP,E 10-50 M 11L SME

REF. NO.	PART NO.	KANRI NO.	DESCRIPTION	REF. NO.	PART NO.	KANRI NO.	DESCRIPTION
C751	87-010-545-080		CAP,E 0.22-50 M 11L SME	C957	87-018-122-080		CAP,TC U 180P-50 K B UP050
C752	87-010-402-080		CAP,E 2.2-50 M 11L SME	C958	87-018-119-080		CAP,TC U 100P-50 K B UP050
C753	87-010-545-080		CAP,E 0.22-50 M 11L SME	C959	87-A10-050-010		CAP,CER 4700P-500 K
C754	87-010-402-080		CAP,E 2.2-50 M 11L SME	C960	87-010-221-080		CAP,E 4700-10 M SME
C755	87-010-197-080		C-CAP,S 0.01-25 K B C2012	C961	87-A12-168-080		CAP,E 33-160 M SMG
C756	87-010-545-080		CAP,E 0.22-50 M 11L SME	C962	87-A12-010-080		CAP,M/P 0.047-250 J ECQE2
C757	87-010-402-080		CAP,E 2.2-50 M 11L SME	C963	87-A10-283-080		CAP,M 1000P-50 J
C758	87-010-545-080		CAP,E 0.22-50 M 11L SME	C964	87-A10-283-080		CAP,M 1000P-50 J
C759	87-010-402-080		CAP,E 2.2-50 M 11L SME	C965	87-010-963-080		CAP,E 2.2-160 M 11L SME
C760	87-010-197-080		C-CAP,S 0.01-25 K B C2012	C966	87-A12-014-080		CAP,M/P 0.1-250 J ECQE2
C761	87-010-314-080		C-CAP,S 22P-50 J CH GRM	C967	87-A10-303-080		CAP,M 0.047-50 J
C762	87-010-314-080		C-CAP,S 22P-50 J CH GRM	C968	87-010-221-080		CAP,E 470-10 M SME
C763	87-010-405-080		CAP,E 10-50 M 11L SME	CN901	87-009-034-010		CONN,6P V WHT PH
C764	87-010-401-080		CAP,E 1-50 M 11L SME	CN902	87-009-195-010		CONN,5P V WHT EH
C765	87-010-382-080		CAP,E 22-25 M 11L SME	CN903	87-A61-126-080		MALE, 1P TP42097
C766	87-010-402-080		CAP,E 2.2-50 M 11L SME	CN904	87-A61-060-080		CONN,1P V RED TP00706
C767	87-010-401-080		CAP,E 1-50 M 11L SME	CN951	87-009-030-010		CONN,2P V WHT PH
C768	87-010-402-080		CAP,E 2.2-50 M 11L SME	CN952	8A-JE7-620-010		CONN ASSY,2P VM-NK
C769	87-010-405-080		CAP,E 10-50 M 11L SME	CN952	87-099-043-010		CONN,2P V WHT EH
C770	87-010-405-080		CAP,E 10-50 M 11L SME	L901	87-005-608-080		COIL,33UH J LAV35
C780	87-010-405-080		CAP,E 10-50 M 11L SME	L902	87-005-608-080		COIL,33UH J LAV35
C781	87-010-405-080		CAP,E 10-50 M 11L SME	L903	87-005-608-080		COIL,33UH J LAV35
CN401	87-009-314-010		CONN,8P V 51048	L951	87-005-482-080		COIL,56UH J FLR50
CN404	8Z-JE5-640-010		CONN ASSY,4P SP-25	L952	87-005-481-080		COIL,47UH J FLR50
CN404	87-049-469-010		CONN,4P V WHT EH	R901	87-A00-242-090		RES,M/F 8.2K-3W J RSF(S)
CN405	87-009-317-010		CONN,11P V 51048	R902	87-A00-242-090		RES,M/F 8.2K-3W J RSF(S)
CN409	87-009-033-010		CONN,5P V WHT PH	R903	87-A00-242-090		RES,M/F 8.2K-3W J RSF(S)
CNA402	8A-JE7-610-010		CONN ASSY,6P V WHT AU-MAIN	R968	87-022-382-090		RES,M/F 120-2W J
CNA403	8A-JE7-611-010		CONN ASSY,11P V WHT AU-VD	R969	87-A00-638-080		RES,M/F 47-1/2W J SPR
CNA408	8Z-JE7-663-010		CONN ASSY,2P COMB-NK	R970	87-A00-634-080		RES,M/F 2.7-1/4W J SPR
DL401	87-A91-598-010		DELAY LINE,350NS EQFK5-MT	R971	87-A00-636-080		RES,M/F 560-1/4W J SPR
FR401	87-A00-478-090		RES,FUSE 2.2-1W J	R973	87-A00-637-080		RES,M/F 1K-1/4W J SPR
FR402	87-A00-478-090		RES,FUSE 2.2-1W J	R974	87-022-556-090		RES,M/F 180-3W J
J401	87-A60-420-010		JACK,3.5 ST (MSC)	R976	87-A00-636-080		RES,M/F 560-1/4W J SPR
J402	87-A60-875-010		JACK,PIN 3P +S YKC22-0477	R977	87-A00-634-080		RES,M/F 2.7-1/4W J SPR
L401	87-005-614-080		COIL,100UH J LAV35	R978	87-A00-635-080		RES,M/F 47-1/4W J SPR
L403	87-005-614-080		COIL,100UH J LAV35	SO901	8A-JE7-670-010		SOCKET,CRT 11P HPS1521-013411
L404	87-005-614-080		COIL,100UH J LAV35				
L405	87-003-284-080		COIL,27UH J LAL02				
L406	87-003-284-080		COIL,27UH J LAL02				
L407	87-A50-555-010		COIL,100UH K 7212M-101K	C771	87-010-322-080		C-CAP,S 100P-50 J CH GRM
R432	87-A00-739-090		RES,M/F 1-7W K RSV7	C772	87-010-197-080		C-CAP,S 0.01-25 K B C2012
R447	87-A00-667-090		RES,M/F 680-2W J RSF(S)	CNA771	8Z-JE5-631-010		CONN ASSY,5P S-JK
R448	87-A00-667-090		RES,M/F 680-2W J RSF(S)	J771	87-A61-174-010		JACK,Y/CYKF51-5558
W401	8A-JE7-612-010		F-CABLE,8P 2.0 70MM				
W405	8A-JE7-613-010		F-CABLE,11P 2.0 70MM				
NK C.B				PS C.B			
				△ C881	87-A11-353-010		CAP,M/P 0.22-275 M ECQUL
				C882	87-A12-170-010		CAP,CER 1000P-4K M E KX
				△ C883	87-A11-353-010		CAP,M/P 0.22-275 M ECQUL
				C885	87-A12-170-010		CAP,CER 1000P-4K M E KX
				C887	87-A12-347-090		CAP,E 560-50 M LXV
C901	87-010-405-080		CAP,E 10-50 M 11L SME				
C902	87-010-968-080		CAP,CER 680P-2K K B				
C903	87-010-405-080		CAP,E 10-50 M 11L SME				
C906	87-010-400-080		CAP,E 0.47-50 M 11L SME				
C907	87-010-235-080		CAP,E 470-16 M SME	△ CN881	87-A61-299-010		CONN,4P B 5-VB
				CN882	87-099-674-010		CONN,2P V VA
				CN883	87-A61-126-080		MALE, 1P TP42097
C908	87-A11-108-080		CAP,TC U 680P-50 J CH	CN884	87-A60-937-010		CONN,2P V VH
C909	87-A11-110-080		CAP,TC U 820P-50 J CH	CN885	87-A61-126-080		MALE, 1P TP42097
C910	87-A11-108-080		CAP,TC U 680P-50 J CH				
C911	87-A11-106-080		CAP,TC U 560P-50 J CH				
C912	87-A11-106-080		CAP,TC U 560P-50 J CH				
				△ D881	87-A90-965-010		VRIS,TNR15G471K
				△ F881	87-035-459-010		FUSE,5A 250V T 218
				△ FC881	87-033-213-080		FUSE CLAMP,PFC5000
				△ FC882	87-033-213-080		FUSE CLAMP,PFC5000
				△ LF881	87-A91-804-010		FLTR,LINE PLH10A1612R1P02B1
C913	87-A11-106-080		CAP,TC U 560P-50 J CH				
C914	87-A10-052-080		CAP,E 2.2-250				
C915	87-010-260-080		CAP,E 47-25 M 11L SME				
C916	87-018-134-080		CAP,TC U 0.01-16 N Y UP050	△ LF882	87-A91-888-010		FLTR,LINE ELF21V022A
C917	87-010-970-090		CAP,CER 4700P-2K K B DE	△ PT882	8A-JE7-624-010		PT,NH ZTP3446 (STBY)
				R881	87-A00-543-080		RES,SD 8.2M-1W J RCR60
C951	87-010-381-080		CAP,E 330-16 M SME				
C953	87-018-119-080		CAP,TC U 100P-50 K B UP050				
C954	87-010-405-080		CAP,E 10-50 M 11L SME				
C955	87-010-405-080		CAP,E 10-50 M 11L SME				
C956	87-010-405-080		CAP,E 10-50 M 11L SME				

A MAIN C.B

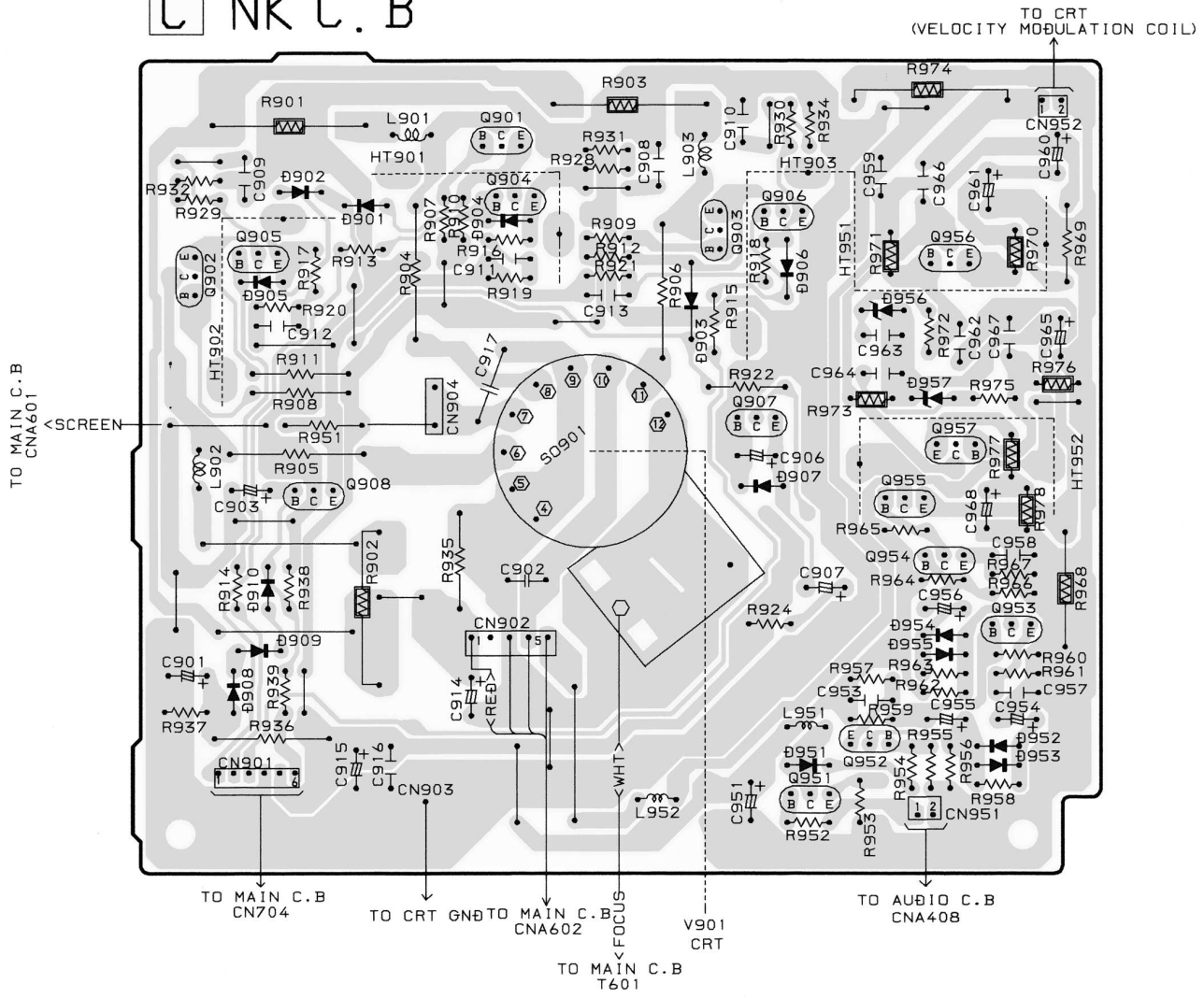


A
B
C
D
E
F
G
H
I
J
K
L
M
N
O
P
Q
R
S
T
U

WIRING - 2 (NK)

15	14	13	12	11	10	9	8	7	6	5	4	3	2	1
----	----	----	----	----	----	---	---	---	---	---	---	---	---	---

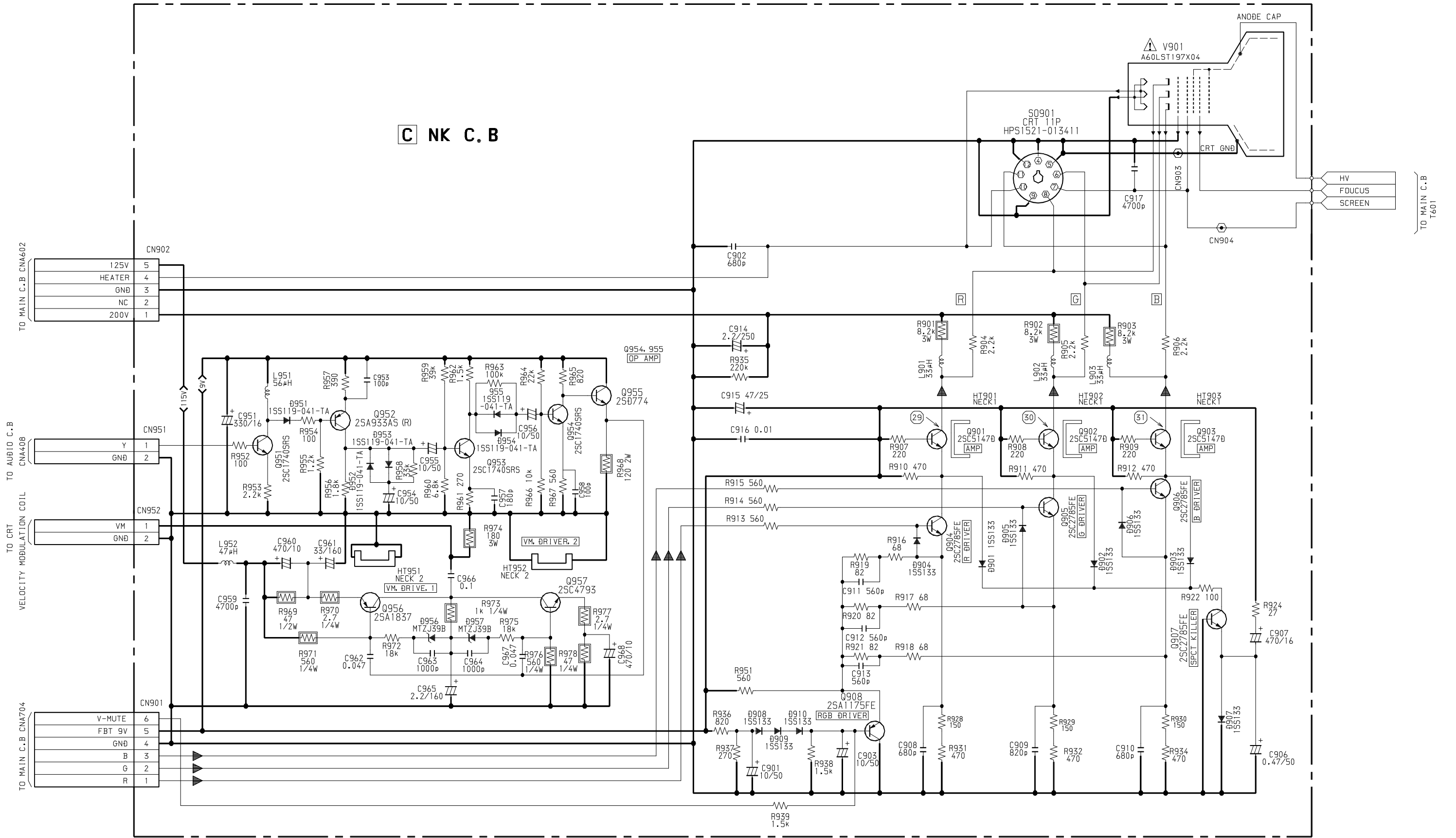
C NK C. B



A
B
C
D
E
F
G
H
I
J
K
L
M
N
O
P
Q
R
S
T
U

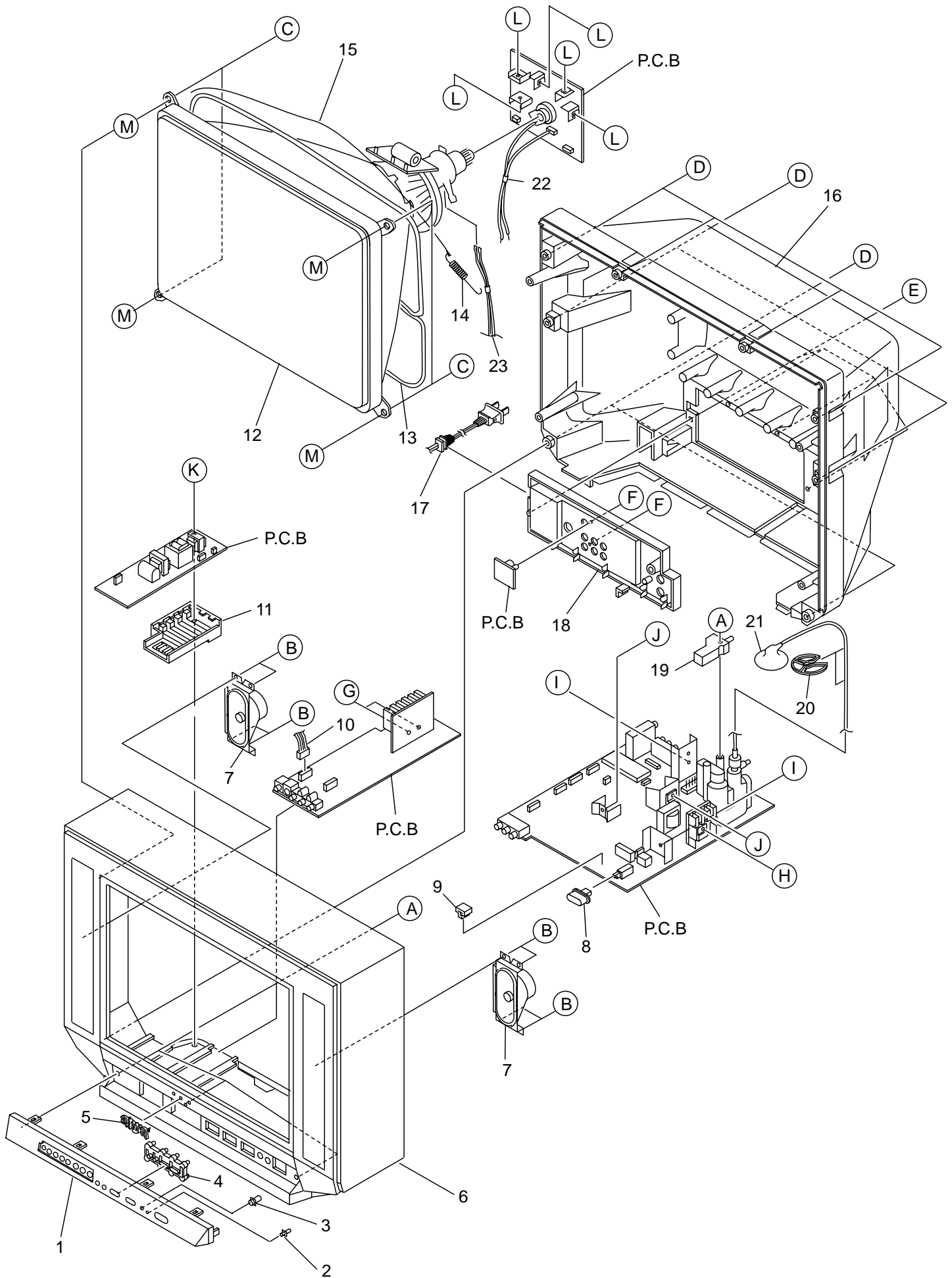
SCHEMATIC DIAGRAM - 2 (NK)

C NK C.B



NOTE:
 ○ : WAVEFORM NO.
 SIGNAL:
 ▲ : R/G/B

MECHANICAL EXPLODED VIEW 1 / 1



MECHANICAL PARTS LIST 1 / 1

REF. NO.	PART NO.	KANRI NO.	DESCRIPTION
1	8A-JE5-007-110		PANEL,MAIN NH
2	8Z-JE7-005-010		LENS,LED
3	8Z-JE7-006-010		LENS,RC
4	8Z-JE7-003-010		KEY,MAIN
5	8Z-JE7-008-010		BADGE,AIWA ST 52.5
6	8A-JE5-012-010		CABI,FR NH ASSY
7	8Z-JB3-620-010		SPKR,6*12 8OHM 15W
8	8A-JEH-004-010		BTN,POWER 2
9	84-LB3-216-010		HLLDR,LED
10	8Z-JE5-640-010		CONN ASSY,4P SP-25
△	11	8Z-JE5-205-110	HLLDR,PWB
△	12	8A-JE5-609-010	CRT,A60LST197X04
△	13	8A-JE5-625-010	COIL,DGC25-F
△	14	83-JT1-217-010	SPR-E,EARTH
	15	8Z-JE5-607-110	CONN ASSY,1P CRT-GND
	16	8Z-JE5-002-110	CABI,REAR
△	17	8A-JE5-630-010	AC CORD ASSY,NH BLK AJE
	18	8A-JE5-009-010	PANEL,REAR NH
	19	8Z-JE5-202-010	HLLDR,FBT-25
	20	87-A90-332-010	HLLDR,SF-2001 HV CABLE
△	21	8Z-JE7-609-010	ANODE-CAP,ZJE-7
	22	8Z-JE7-610-010	HV-CABLE, 2P ZJE-7FOC-SCR
	23	8A-JE7-620-010	CONN ASSY,2P VM-NK
	A	87-067-680-010	BVI T3+3-10
	B	87-078-070-010	BVIT3B+4-12
	C	86-LBB-206-010	S-SCREW,ASSY TV5-40 W20
	D	87-067-844-010	BVT2+4-16 BLK
	E	87-067-690-010	TAPPING SCREW, BVIT3+3-12
	F	87-B10-311-010	BVIT3B+3-10 BLK
	G	87-067-688-010	BVTT+3-6
	H	87-067-619-010	BVT1+3-12
	I	87-067-579-010	TAPPING SCREW, BVT2+3-8
	J	87-067-758-010	BVT2+3-12 W/O SLOT
	K	87-067-822-010	BVT2+3-20 W/O SLOT
	L	87-067-641-010	UTT2+3-8 (W/O SLOT)BL
	M	8Z-JE5-206-010	W-P,10.5-20-1

COLOR NAME TABLE

Basic color symbol	Color	Basic color symbol	Color	Basic color symbol	Color
B	Black	C	Cream	D	Orange
G	Green	H	Gray	L	Blue
LT	Transparent Blue	N	Gold	P	Pink
R	Red	S	Silver	ST	Titan Silver
T	Brown	V	Violet	W	White
WT	Transparent White	Y	Yellow	YT	Transparent Yellow
LM	Metallic Blue	LL	Light Blue	GT	Transparent Green
LD	Dark Blue	DT	Transparent Orange	GM	Metallic Green
YM	Metallic Yellow	DM	Metallic Orange	PT	Transparent Pink

アイワ株式会社 〒110-8710 東京都台東区池之端1-2-11 ☎03(3827)3111 (代表)
AIWA CO.,LTD. 2-11, IKENOHATA 1-CHOME, TAITO-KU, TOKYO 110, JAPAN TEL:03 (3827) 3111